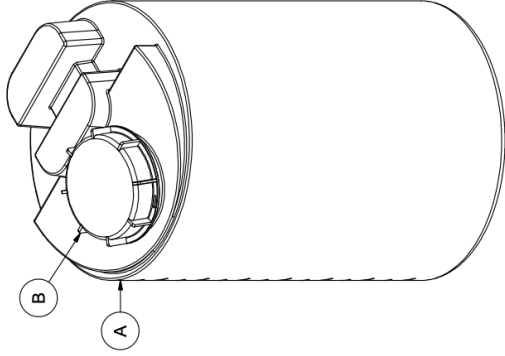
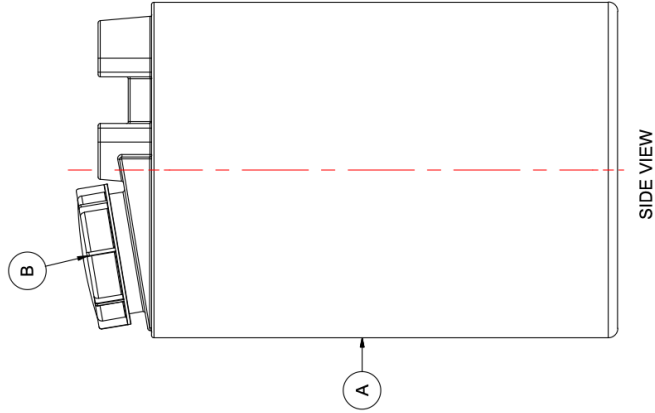
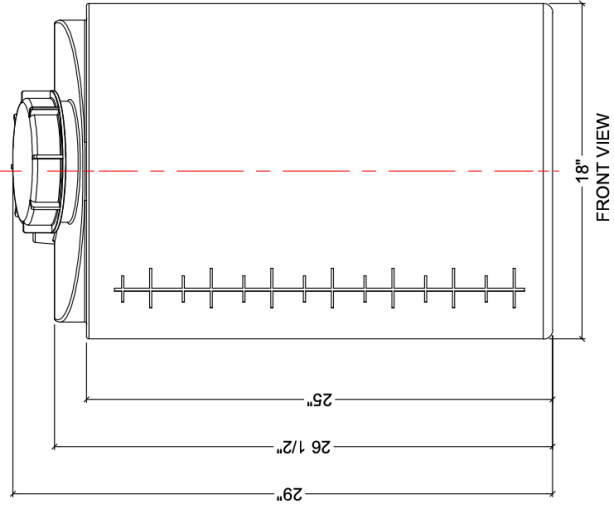
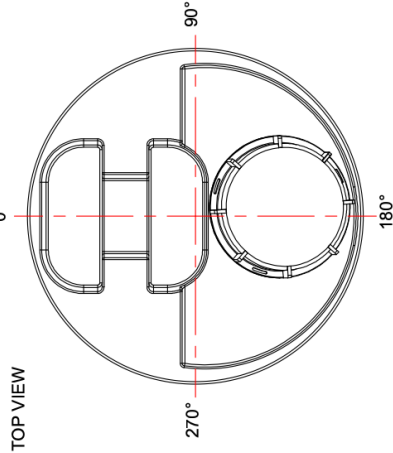


NOTES:

- 1. TANK IS MANUFACTURED TO ASTM-D-1998 STANDARD.
- 2. ALL DIMENSIONS ARE APPROXIMATE.



MATERIALS LIST

ITEMS	DESCRIPTION	NOTES
A	PTB-100 TOTE BARREL	
B	5 1/2" THREADED LID	

REV	DATE	DESCRIPTION	BY	APPD	REVD

CUSTOMER REVISIONS

ACO JOB NO:
PURCHASE ORDER NO:
PURCHASER'S EQUIP. NO:

TITLE
100 L TOTE BARREL

ENGINEERS SEAL

ACO CONTAINER SYSTEMS
DIVISION OF ROTOPLAST INC.
PICKERING, ONTARIO, CANADA
TEL: 905-883-3222
FAX: 905-883-2889
DATE: 15-03-16
DWG No: PTB-100
REV: 0

DESIGNED
DRAWN
CHECKED
APPROVED
SCALE
N.T.S.

ACO CONTAINER SYSTEMS
DIVISION OF ROTOPLAST INC.
PICKERING, ONTARIO, CANADA
TEL: 905-883-3222
FAX: 905-883-2889
DATE: 15-03-16
DWG No: PTB-100
REV: 0

THIS DRAWING IS THE PROPERTY OF ROTOPLAST INC. AND SHALL NOT BE COPIED OR TRANSFERRED WITHOUT THE WRITTEN CONSENT OF ROTOPLAST INC.